



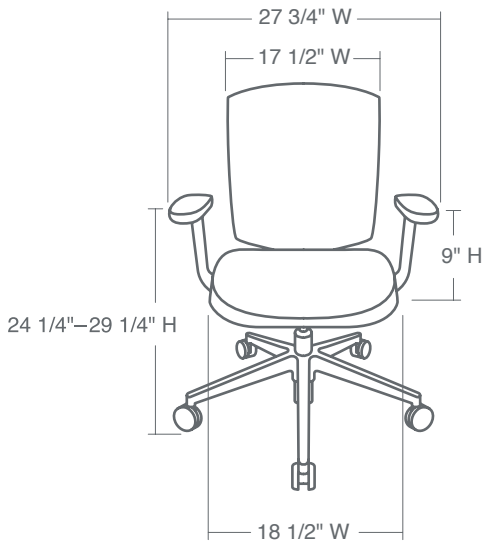
# Jack

**Strong and dependable,  
Jack's got your back.**

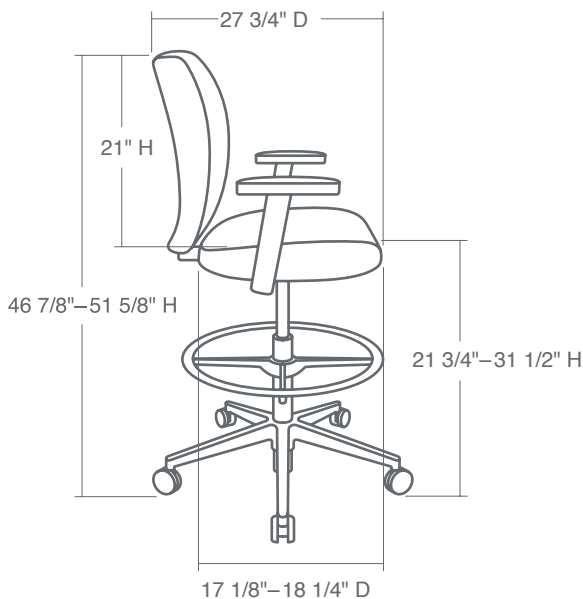
Sitting at a desk for eight hours a day requires a chair with substance. Designed to offer sturdy support where you need it, Jack's height adjustable seat and optional swivel, tilt and synchro-tilt combinations put you in charge of your comfort and work style. And because nobody rolls exactly like you do, Jack anticipates your needs, offers intuitive adjustments and equips you for productivity.

With hundreds of fabric choices and ways to customize your experience, Jack delivers uncompromising style without depleting your budget.

### desk chair



### stool



## Statement of Line

### Standard Features

- Upholstered/contoured seat and back
- Black plastic outer back
- Swivel mechanism
- Pneumatic seat height adjustment
- 5-star base
- Casters (for hard floors or carpet)
- Supports up to 225 lbs.
- Steelcase Limited Lifetime Warranty

### Optional Features

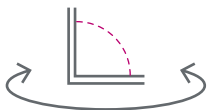
- Swivel-tilt mechanism
- Synchro-tilt mechanism with back height adjustment
- Glides
- Seat depth adjustment (available on synchro-tilt only)
- Fixed back lock and tilt-tension (available on swivel-tilt only)
- Variable back lock and tilt-tension (available on synchro-tilt only)

### Arm Options

- Armless
- Height and maintenance width-adjustable T-arms
- Fixed T-arms

### Environmental Certifications

SCS Indoor Advantage™ Certified  
[scscertified.com](http://scscertified.com)



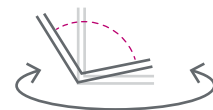
#### Swivel mechanism:

Chair swivels 360°.



#### Swivel-tilt mechanism:

Chair swivels 360°,  
back and seat recline in unison.



#### Synchro-tilt mechanism:

Chair swivels 360°, back and  
seat move together but at  
different angles. For every 2° of  
back recline, the seat angle tilts 1°.